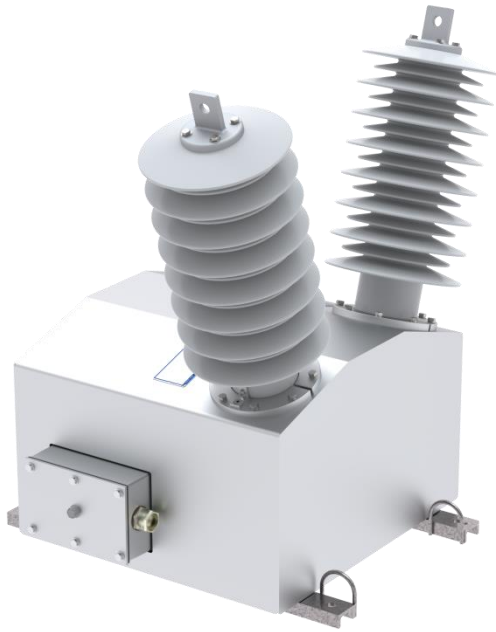
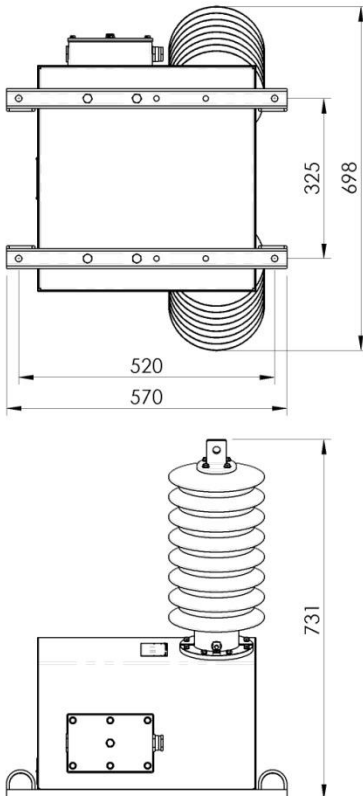


WX9-1440

MEDIUM VOLTAGE OUTDOOR VOLTAGE TRANSFORMER



DIMENSIONS



Dimensions in mm

Information given for illustrative purposes. For any other feature or need, contact us.



GENERAL FEATURES

Two HV poles voltage transformer, dry insulated and completely earthed for outdoor application. Its aluminium case brings a high mechanical resistance. Its silicone molded insulator with large creepage distance gives perfect insulating properties in aggressive and polluted environments.

- ✓ **Standard** : IEC 61869-3 | CSA C61869-3 | IEEE C57-13
- ✓ **Creepage** : 1440mm
- ✓ **Flashover** : 420 mm
- ✓ **Ambient temperature** : jusqu'à -50/+50°C



ELECTRICAL FEATURES

- ✓ **Insulation level** : up to 36/70/200kV
- ✓ **Frequency** : 50Hz | 60Hz
- ✓ **Primary voltage (Un)** : up to 34500V
- ✓ **Voltage factor** : 1.1 or 1.2Un perm.
- ✓ **Accuracy class (IEC)** : 0.2 | 0.5 | 1 | 3 | 3P | 6P
- ✓ **Accuracy class (CSA)** : 0.3 | 0.6 | 1.2 | 3P | 6P
- ✓ **Accuracy class (IEEE)** : 0.3 | 0.6 | 1.2
- ✓ **Accuracy burden (IEC)** : up to 30VACL0.2-250VACL0.5-500VACL1
- ✓ **Accuracy burden (CSA/IEEE)** : up to 0.3WXY-0.3WXYZ
- ✓ **Thermal burden** : up to 800VA



MECHANICAL FEATURES

- ✓ **Approximate weight** : 105kg
- ✓ **Cable outlet** : PG21 nickel plated brass for \varnothing 13 à 19mm
- ✓ **Primary connection** : Aluminium 1 hole \varnothing 14mm



OPTIONS

- ✓ **Cable outlet** : 1" NPT adaptor
- ✓ **Primary connection** : NEMA pad or other connections on request